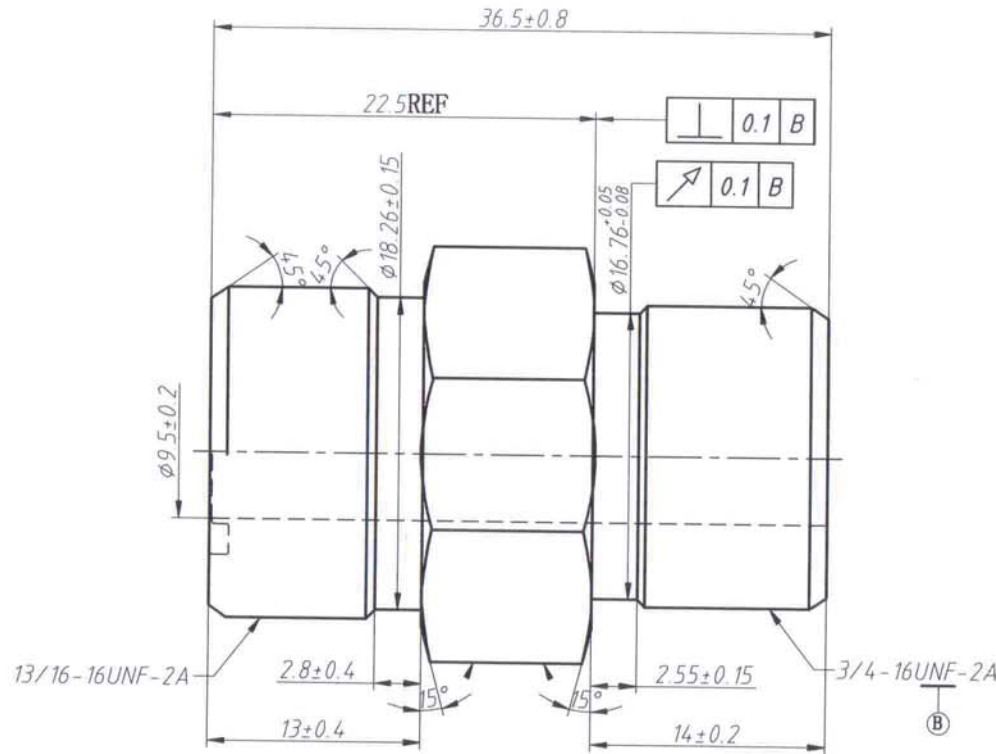


REV 更改号	DATE 日期	REVISION DETAILS 更改内容	APPD 审核并批准
A	Jul. 14. 2018	Drawing update	Zhang



UNLESS SPECIFIED
ALL DIMENSIONS IN mm,
MACHINED SURFACES $Ra=3.2\mu m$,
ANGLE TOLERANCES $\pm 5^\circ$,
Other tolerance except angles,
in accordance with
GB/T1804-2000(ISO2768-1)-m and
GB/T1184-1996(ISO 2768-2)-m.

其它事项
图示尺寸单位为mm,
未注机加工表面粗糙度 $Ra=3.2\mu m$
未注角度公差 $\pm 5^\circ$
其它未注公差(除角度外)均按:
GB/T1804-2000(ISO2768-1)-m 和
GB/T1184-1996(ISO2768-2)-m

Zhejiang Gaocheng Autoparts Co., Ltd

PART NO 零件名	6400-8fs-8		
SCALE NTS	APPD: 批准: <i>QP</i>	DRN 制图: DS. YU	DATE 日期: 2018.07.13
	DATE 日期: 2017/8	CHK 审核: YB. ZHAN	DATE 日期:

MATERIAL	Chinese steel 45	材质: 45#
FINISH	Remove all sharp edges, burrs, slivers and swarf, break all edges 0.127-0.254mm. ZINC PLATING WITH 8um MICRONS MINIMUM PLATING THICKNESS AND TRIVALENT CHROMATE PASSIVATION AND WITHSTAND 96 HRS TO WHITE / 144 HRS TO RED RUST IN SALT SPRAY TEST.	去除所有毛刺, 铁屑等残留物, 锐边倒钝0.127-0.254mm. 镀锌, 三价铬钝化, 银白色, 盐雾试验96小时无白斑, 144小时无红锈, 镀锌层厚度大于8um.